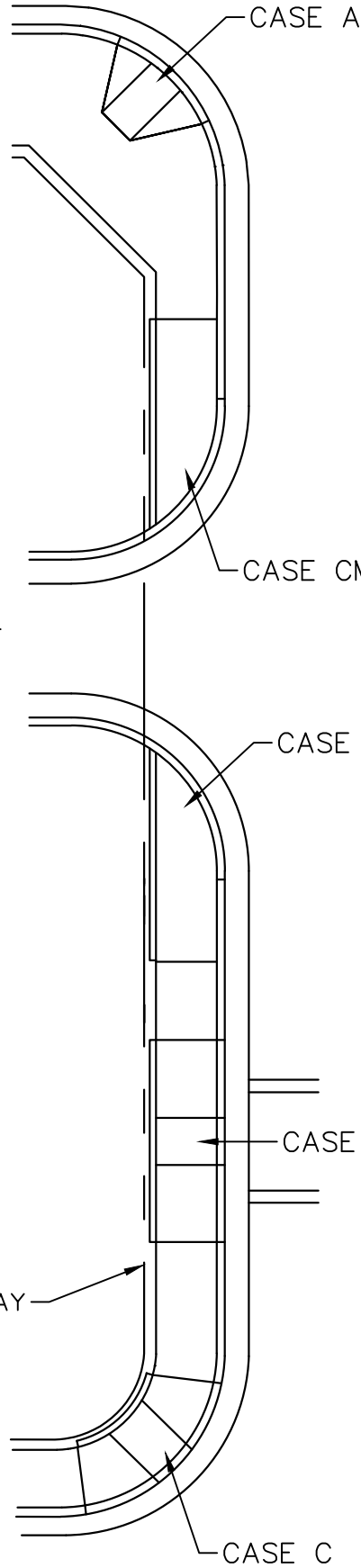


Xrefs: S:\ENGINEERING\Traffic\STAFF FOLDERS\Chet\Draft Revised Standards\Revised\_County Standards\_Master.dwg Plot Date: Jun 07, 2019 at 13:15

PUBLIC ROAD



NOTE:

- 1. FOR CURB RAMP TYPES AND CURB RAMP DETAILS, SEE CALTRANS STANDARD PLANS.

PUBLIC ROAD

COUNTY OF SONOMA  
 DEPARTMENT OF TRANSPORTATION  
 AND PUBLIC WORKS

PEDESTRIAN RAMPS  
 LOCATION OVERVIEW

DATE: MAY 2004	REVISED: MAY 2018
APPROVED BY:	SCALE: NONE
	DRAWING NO. 224

PUBLIC ROAD