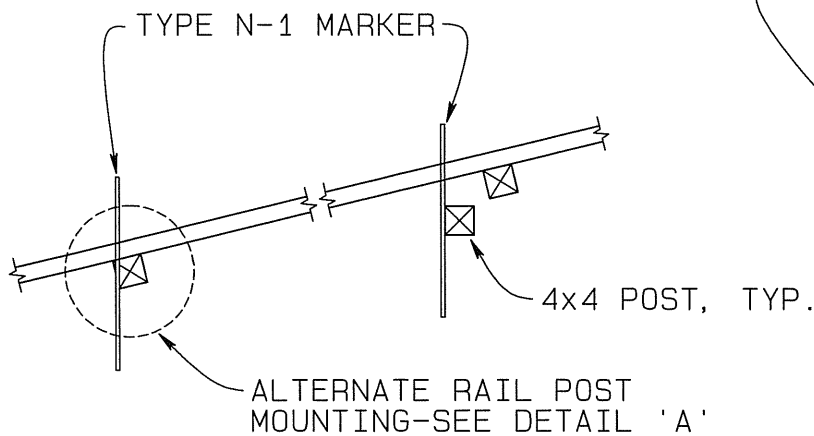
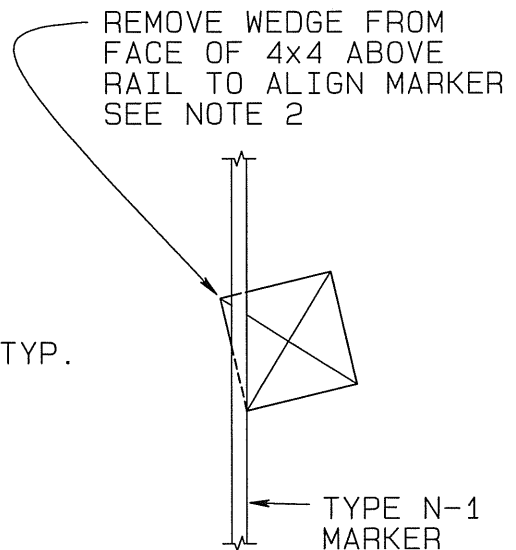


NOTES:

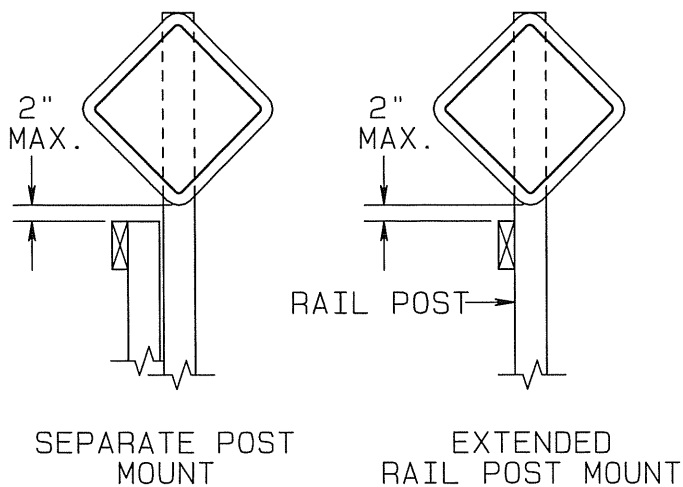
1. SEE DRAWING NO. 714D FOR GENERAL NOTES.
2. TYPE N - 1 (YELLOW) OBJECT MARKERS SHALL BE INSTALLED FACING TRAFFIC AND PERPENDICULAR TO THE ROAD (WITHIN 10 DEGREES). SEPARATE 4" x 4" PRESSURE TREATED POSTS MAY BE SET BEHIND THE TEMPORARY BARRICADE WITH TYPE N - 1 OBJECT MARKERS PLACED ON THOSE POSTS AND MOUNTED AT A HEIGHT JUST ABOVE THE CROSS RAIL.
3. TYPE N-1 OBJECT MARKERS ARE TO BE SPACED NO MORE THAN 16' O.C., MAXIMUM.



PLAN VIEW



DETAIL 'A'



ELEVATION

**COUNTY OF SONOMA
DEPARTMENT OF TRANSPORTATION
AND PUBLIC WORKS**

**PAVEMENT TRANSITION
BARRICADE DETAILS**

DATE: MAY 2004

REVISED:

APPROVED BY:

SCALE:
NONE

DRAWING NO.

714C