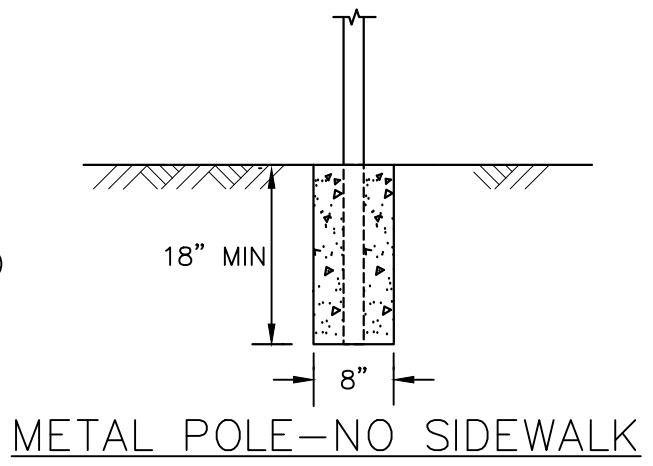
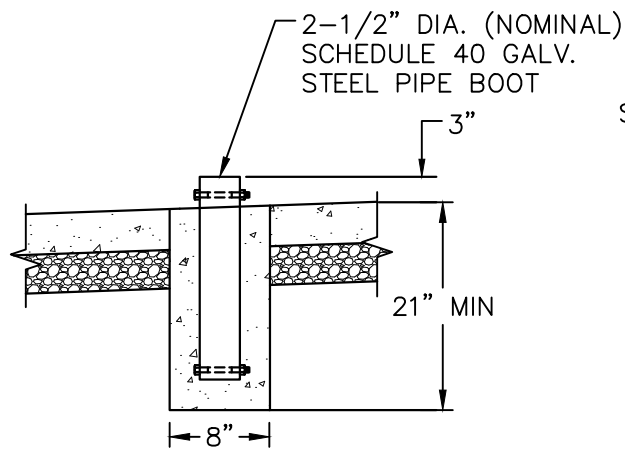


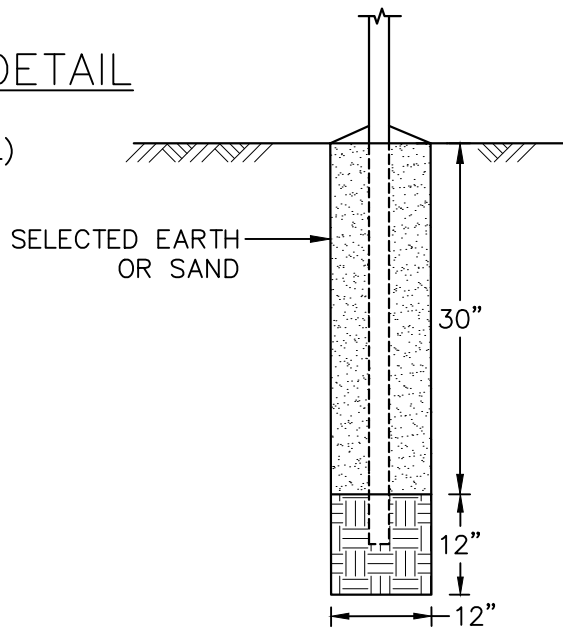
BOOT & POST CONNECTION DETAIL



METAL POLE-NO SIDEWALK



METAL POLE-SIDEWALK



WOOD POST FOUNDATION

NOTES:

1. DESIGN SHALL CONFORM TO THESE REQUIREMENTS UNLESS DIRECTED OTHERWISE BY THE COUNTY.
2. CONCRETE CONTAINING FOUR SACKS OF CEMENT PER CUBIC YARD MEETS THE CRITERION FOR CLASS 4 CONCRETE.
3. POST BOOT MUST SLIP OVER THE POST.
4. BOTTOM OF BOOT TO BE SEALED WITH DUCT TAPE TO PREVENT CONCRETE FROM ENTERING THE BOOT DURING INSTALLATION.

COUNTY OF SONOMA  
DEPARTMENT OF TRANSPORTATION  
AND PUBLIC WORKS

SIGN FOUNDATIONS  
DETAILS

DATE: MAY 2004	REVISED: MAY 2018
APPROVED BY:	SCALE: NONE DRAWING NO. 712A