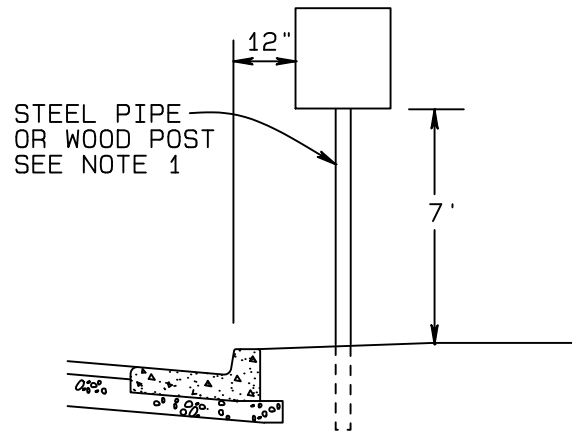
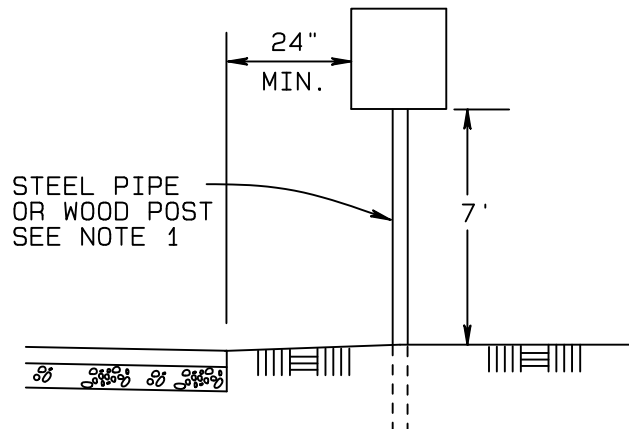


SIDEWALK LOCATION



CURB ONLY LOCATION



LOCATION WITH NO CURB OR SIDEWALK

**NOTES:**

1. BOTH STOP SIGN AND STREET SIGN POSTS SHALL BE 2" INSIDE DIAMETER STEEL POLES. AND SHALL BE SCHEDULE 40 GALVANIZED STEEL PIPE, CONFORMING TO ASTM 120 METAL POLES FOR STREET SIGNS SHALL BE THREADED AT ONE END AND CAPPED. WOOD POSTS SHALL CONFORM TO SECTION 56 OF CALTRANS SPECIFICATIONS. EXCEPT THAT REDWOOD SHALL NOT BE ALLOWED
2. DESIGN SHALL CONFORM TO THESE REQUIREMENTS UNLESS DIRECTED OTHERWISE BY THE COUNTY.
3. SEE DRAWING NO. 712A FOR FOUNDATION DETAILS

**COUNTY OF SONOMA  
DEPARTMENT OF TRANSPORTATION  
AND PUBLIC WORKS**

**SIGN LOCATION  
AND  
INSTALLATION DETAILS**

DATE: MAY 2004  
REV. SEPT. 2014

SCALE:  
NONE

DRAWING NO.  
**712**