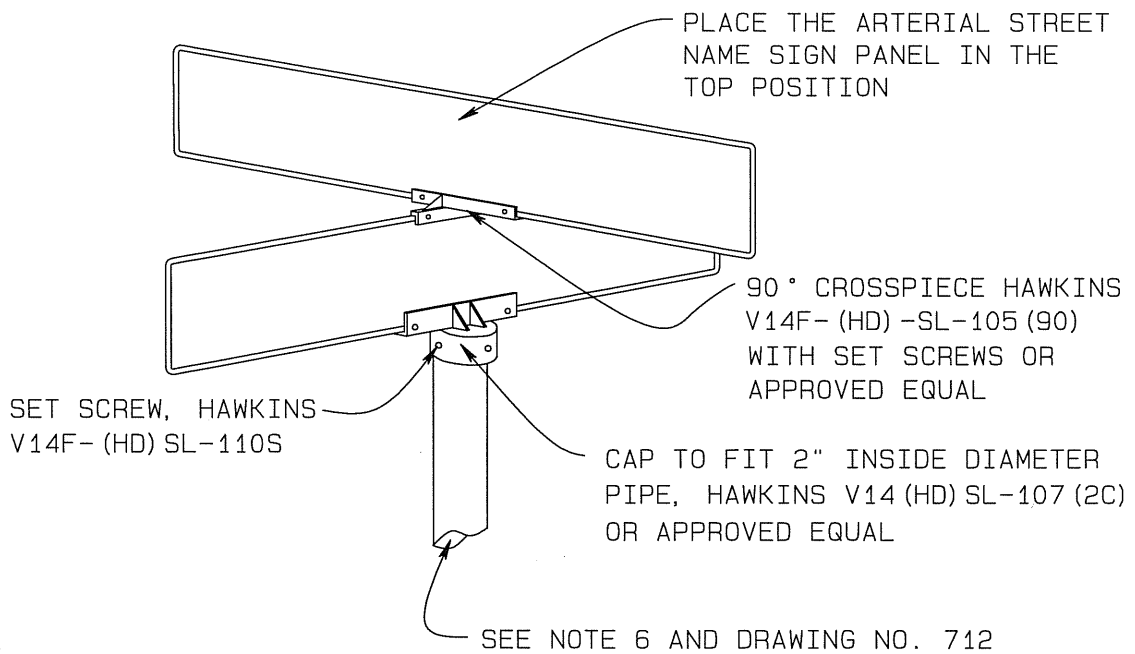
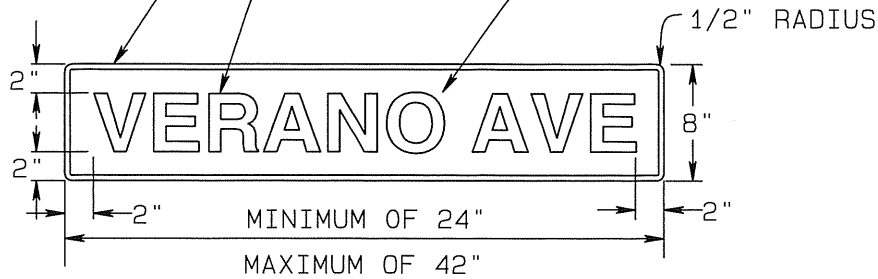


3/8" WHITE HIGH INTENSITY REFLECTIVE BORDER

4" UPPERCASE WHITE HIGH INTENSITY REFLECTIVE LETTERS (C-SERIES)

GREEN HIGH INTENSITY REFLECTIVE SHEETING



**NOTES:**

1. THE BASE METAL OF ALL SIGNS SHALL BE NEW SHEET ALUMINUM OF ALLOYS 6061-T6 OR 5052-H38 CONFORMING TO THE REQUIREMENTS OF ASTM DESIGNATION B209, WITH A THICKNESS OF 0.125".
2. SIGNS SHALL BE DOUBLE FACED.
3. B-SERIES LETTERING MAY BE USED IF THE STREET NAME IS TOO LONG FOR MAXIMUM LENGTH OF SIGN.
4. LETTERING AND ABBREVIATIONS SHALL BE AS SHOWN ON THIS DRAWING AND IN CONFORMANCE WITH THE CURRENT EDITION OF THE CALIFORNIA MANUAL OF UNIFORM TRAFFIC CONTROL DEVICES.
5. CROSS PIECE AND POST CAP SLOT WIDTH SHALL BE OF SUFFICIENT WIDTH TO FIT THE SIGN PLATE. (HAWKINS S125)
6. METAL SIGN POLE SHALL BE 2" INSIDE DIAMETER SCHEDULE 40, GALVANIZED STEEL PIPE, CONFORMING TO ASTM 120 AND SHALL BE THREADED AT ONE END.

<b>COUNTY OF SONOMA DEPARTMENT OF TRANSPORTATION AND PUBLIC WORKS</b>		
<b>STREET NAME SIGN METAL POLE MOUNTING</b>		
DATE: MAY 2004	REVISED: MAY 2007	
APPROVED BY:	SCALE: NONE	DRAWING NO. <b>700</b>