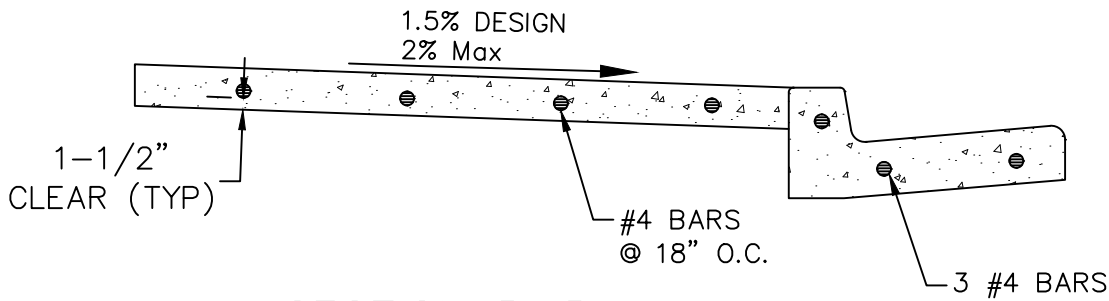
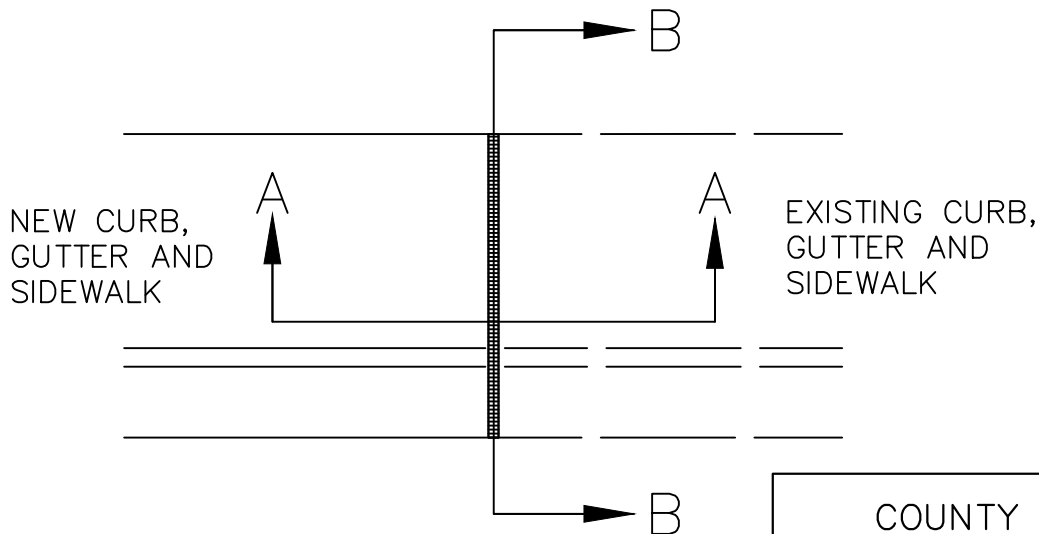


SECTION A-A



SECTION B-B



PLAN

COUNTY OF SONOMA
DEPARTMENT OF TRANSPORTATION
AND PUBLIC WORKS

CURB, GUTTER AND SIDEWALK
EXPANSION JOINT
NEW TO EXISTING

DATE: MAY 2004

REVISED: JULY 2018

APPROVED BY:

SCALE:
NONE

DRAWING NO.
223