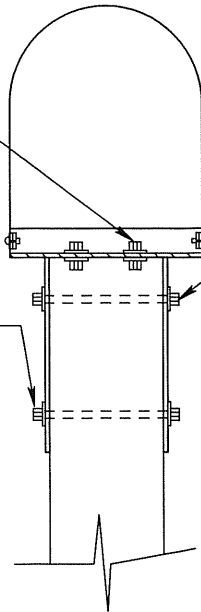
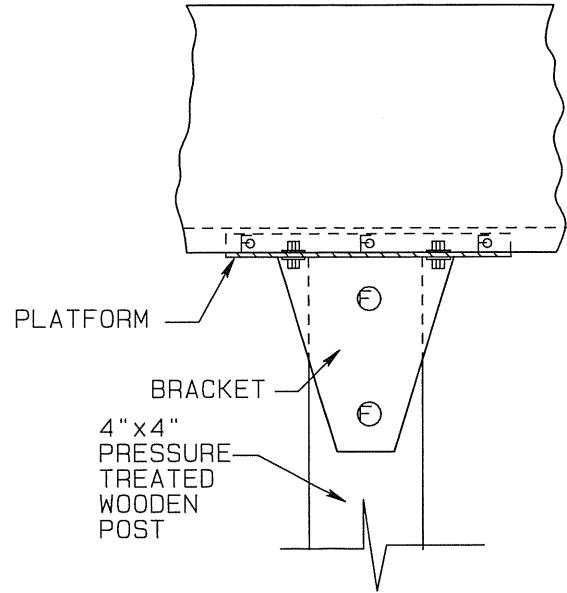


3/8"-16x3/4" HEX BOLT
2-WASHERS,
1-LOCKWASHER, 1-NUT

3/8"-16x4-1/2" HEX BOLT
2-WASHERS, 1-LOCKWASHER,
1-NUT



#8-32x3/4"
SLOTTED RD. HD BOLT
(STOVE BOLT)
2-WASHERS, 1-LOCKWASHER,
1-NUT



NOTES:

1. SEE DRAWING NO. 304 FOR SERIES A SUPPORT HARDWARE DETAILS.
2. SEE DWG NO. 306 FOR MAILBOX INSTALLATION.
3. ALL HARDWARE TO BE GALVANIZED.

**COUNTY OF SONOMA
DEPARTMENT OF TRANSPORTATION
AND PUBLIC WORKS**

**MAILBOX ASSEMBLY
(SINGLE)**

DATE: MAY 2004

REVISED:

APPROVED BY:

SCALE:
NONE

DRAWING NO.

302