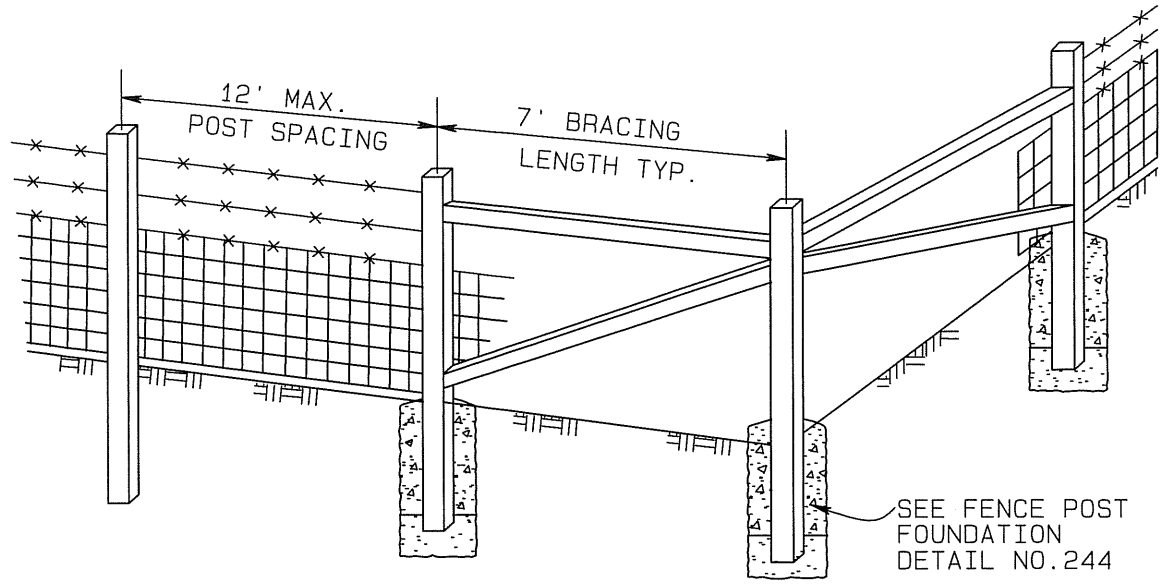


LINE BRACING DETAIL OR PULL POST ASSEMBLY DETAIL



NOTES: CORNER BRACING DETAIL

1. LINE BRACING OR PULL POST INSTALLATIONS TO BE AT 660' MAXIMUM INTERVALS FOR WIRE MESH FENCE OR 1320' MAXIMUM INTERVALS FOR BARBED WIRE FENCE.
2. WHEN FENCE CONSTRUCTION UTILIZES WOOD LINE POSTS, THE FENCE AND FENCE WIRES SHALL BE GROUNDED PER CALTRANS STANDARD SPECIFICATIONS SECTION 80-3.02.
3. POSTS SHALL BE 6"x6"x7'. BRACES SHALL BE 4"x4" ATTACHED WITH 20d GALVANIZED NAILS.
4. WOODEN POSTS AND CROSS BRACING USED FOR FENCING MATERIAL SHALL BE PRESSURE TREATED CONFORMING TO SECTION 80-3 OF CALTRANS SPECIFICATIONS EXCEPT THAT NO REDWOOD SHALL BE ALLOWED.

COUNTY OF SONOMA DEPARTMENT OF TRANSPORTATION AND PUBLIC WORKS		
FENCE DETAILS BRACING FOR LINE AND CORNER		
DATE: MAY 2004	REVISED:	
APPROVED BY:	SCALE: NONE	DRAWING NO. 238