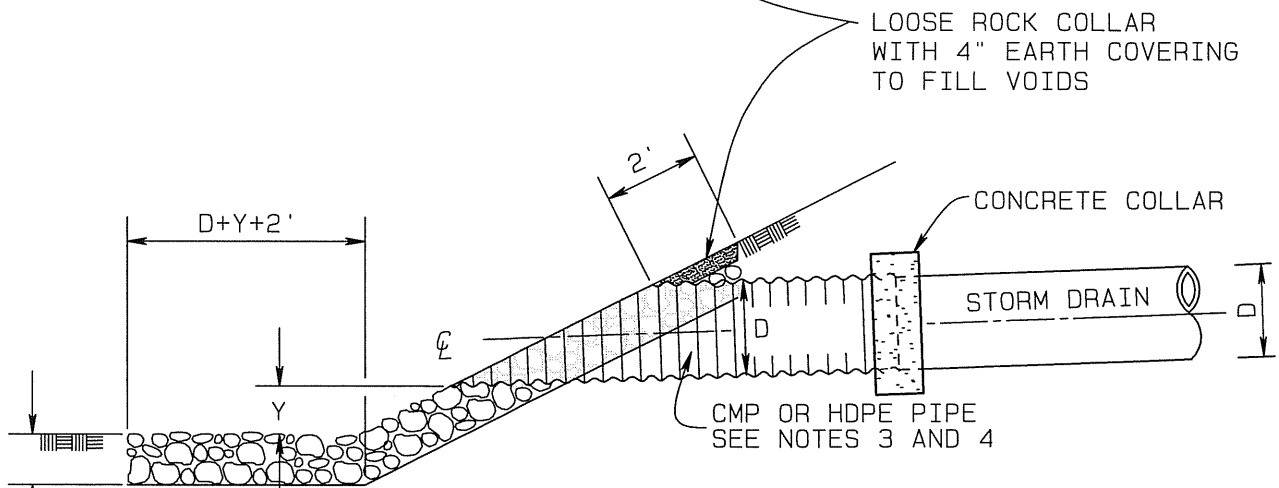


PLAN



SECTION

**NOTES:**

1. ROCK SLOPE PROTECTION SHALL BE CLASS LIGHT, METHOD B PER SECTION 72 OF STATE STANDARD SPECIFICATIONS. VELOCITIES IN EXCESS OF 10 FPS SHALL REQUIRE HYDRAULIC DESIGN BY A LICENSED ENGINEER.
2. ANY DISCHARGE INTO WATER AGENCY CHANNEL WILL REQUIRE PERMITS FROM THE WATER AGENCY.
3. CORRUGATED METAL PIPE SHALL BE BITUMINOUS DIPPED AND INSTALLED ACCORDING TO SECTION 66 OF CALTRANS SPECIFICATIONS.
4. SEE SECTION 64 OF THE CALTRANS SPECIFICATIONS FOR HDPE PIPE REQUIREMENTS.

**COUNTY OF SONOMA  
DEPARTMENT OF TRANSPORTATION  
AND PUBLIC WORKS**

**STORM DRAIN OUTLET  
ROCK SLOPE PROTECTION**

DATE: MAY 2004	REVISED: APR. 2005
APPROVED BY:	SCALE: NONE
	DRAWING NO. <b>402</b>