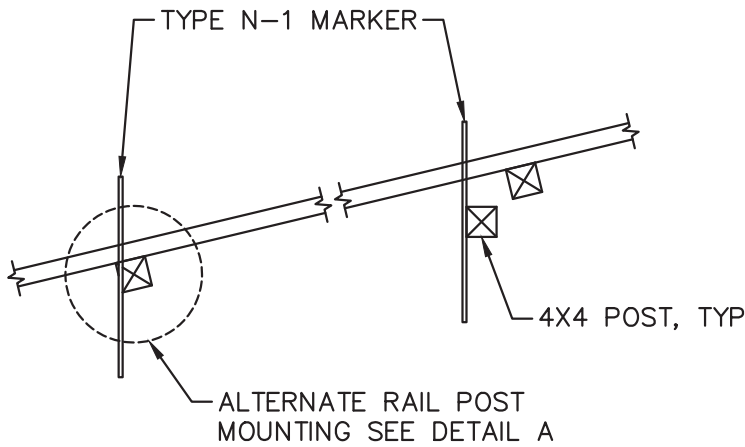
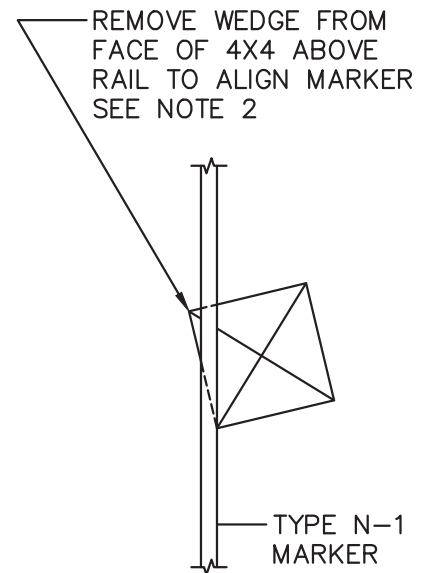


NOTES:

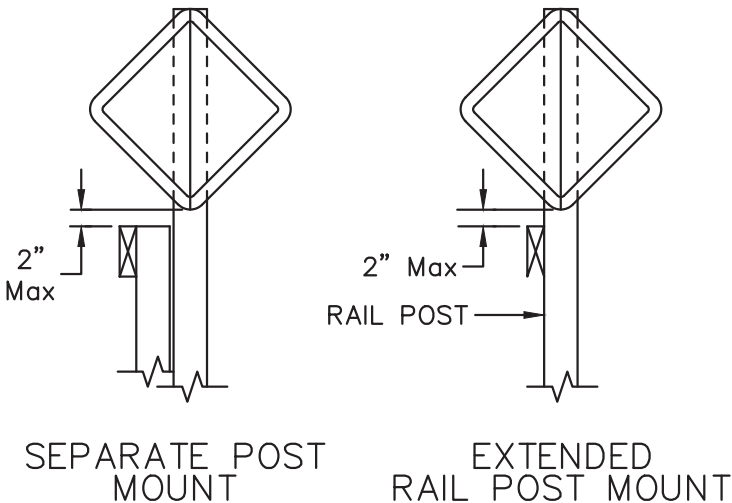
1. SEE DRAWING NO. 714D FOR GENERAL NOTES.
2. TYPE N - 1 (YELLOW) OBJECT MARKERS SHALL BE INSTALLED FACING TRAFFIC AND PERPENDICULAR TO THE ROAD (WITHIN 10 DEGREES). SEPARATE 4" x 4" PRESSURE TREATED POSTS MAY BE SET BEHIND THE TEMPORARY BARRICADE WITH TYPE N - 1 OBJECT MARKERS PLACED ON THOSE POSTS AND MOUNTED AT A HEIGHT JUST ABOVE THE CROSS RAIL.
3. TYPE N-1 OBJECT MARKERS ARE TO BE SPACED NO MORE THAN 16' O.C., MAXIMUM.



PLAN VIEW



DETAIL 'A'



ELEVATION

COUNTY OF SONOMA
DEPARTMENT OF TRANSPORTATION
AND PUBLIC WORKS

PAVEMENT TRANSITION
BARRICADE DETAILS

DATE: MAY 2004

REVISED:

APPROVED BY:

SCALE:
NONE

DRAWING NO.

JH

714C