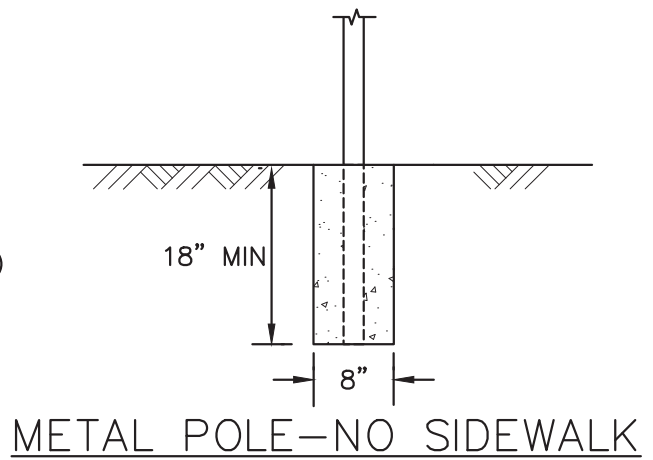
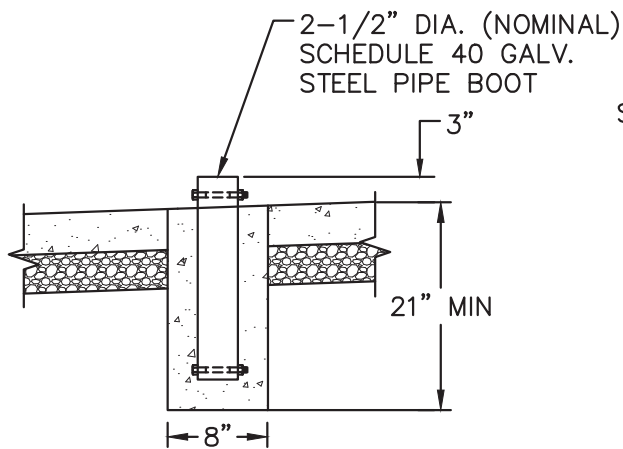


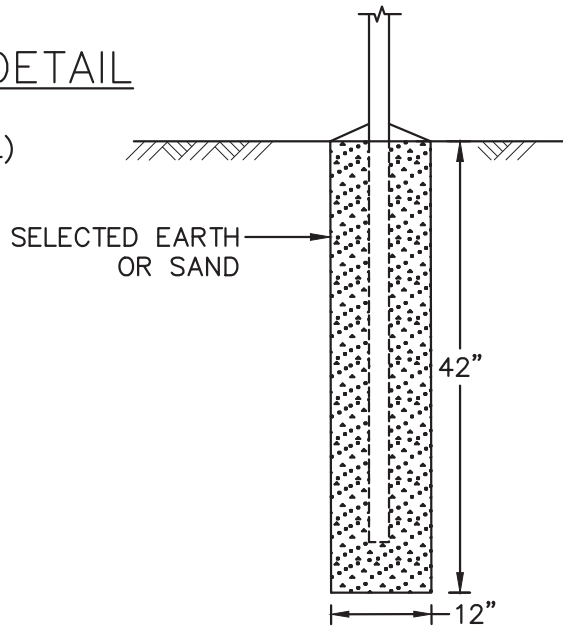
BOOT & POST CONNECTION DETAIL



METAL POLE-NO SIDEWALK



METAL POLE-SIDEWALK



WOOD POST FOUNDATION

NOTES:

1. DESIGN SHALL CONFORM TO THESE REQUIREMENTS UNLESS DIRECTED OTHERWISE BY THE COUNTY.
2. CONCRETE CONTAINING FOUR SACKS OF CEMENT PER CUBIC YARD MEETS THE CRITERION FOR CLASS 4 CONCRETE.
3. POST BOOT MUST SLIP OVER THE POST.
4. BOTTOM OF BOOT TO BE SEALED WITH DUCT TAPE TO PREVENT CONCRETE FROM ENTERING THE BOOT DURING INSTALLATION.

COUNTY OF SONOMA
DEPARTMENT OF TRANSPORTATION
AND PUBLIC WORKS

SIGN FOUNDATIONS
DETAILS

DATE: MAY 2004

REVISED: MAY 2018

APPROVED BY:

JH

SCALE:
NONE

DRAWING NO.
712A